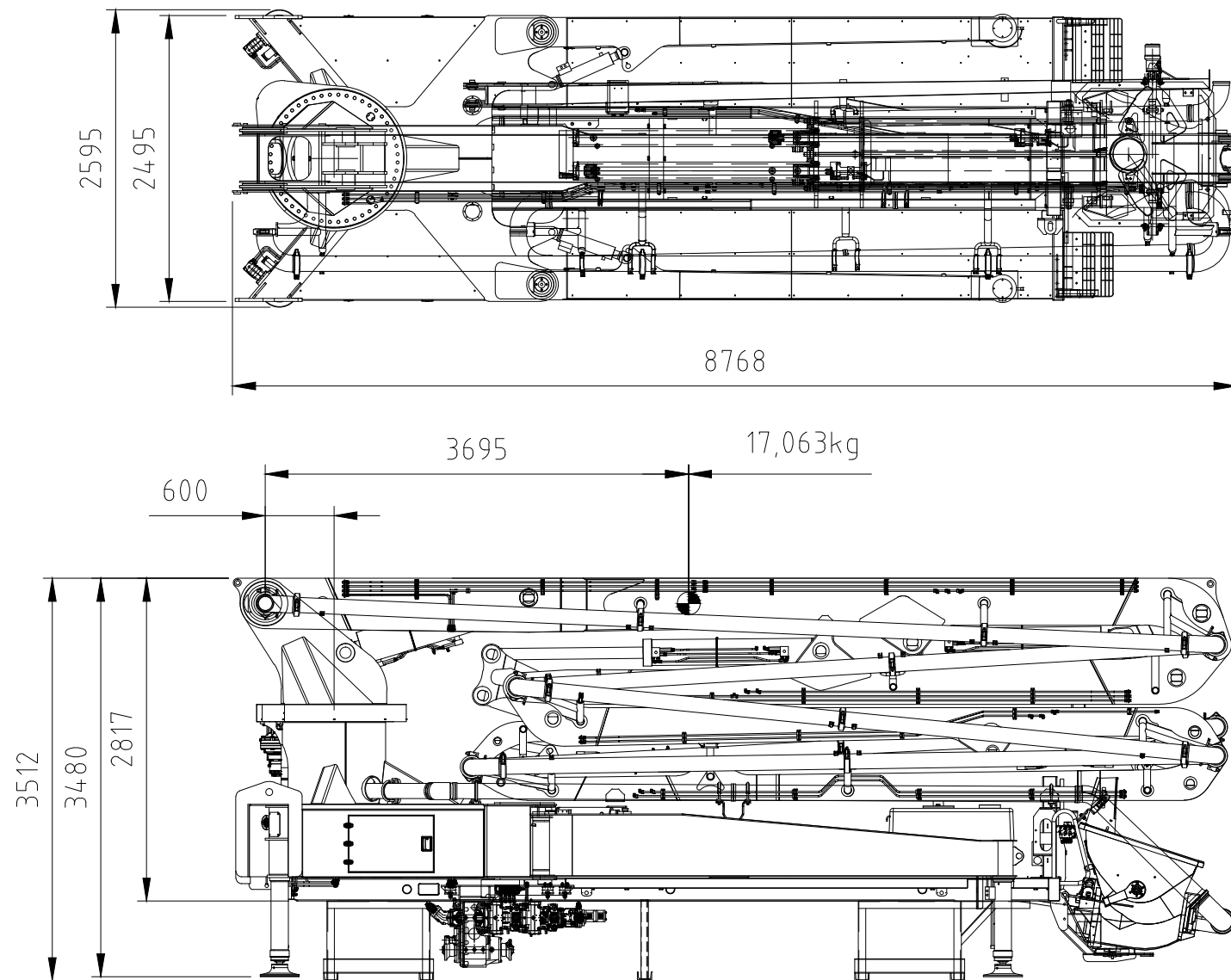


ECN-NO	REV NO	DATE	DESIG	CHEC	APPR



TOTAL WEIGHT : 17,663kg
With Support Assy

UPPER WEIGHT : 17,063 kg
Without Support Assy

NOTE.
1. 하부 이종관, 붐 경량화 이종관 적용

PLACING BOOM	
MODEL	B00M-38M
BETON LINE DIAMETER	125 mm
MAX VERTICLE REACH	37.5 m
HORIZONTAL REACH	33.5 m
HYDR' WORKING PRESSURE	350 BAR
MAX. LENGTH OF END HOSE	3.5 m
SLEWING RANGE	360 °
OUTRIGGERS	TYPE X-S
JACK CTL' STROKE LENGTH	720 mm

CONCRETE PUMP SYSTEM	
MODEL	DCP38X-5ZR
ROD SIDE	CONCRETE OUTPUT 160 m ³ /h
	CONCRETE PRESSURE 87 bar
	PUMPING CYCLE 31 per/min.
PUMPING CYLINDER DIAMATER x STROKE 230mmx210mm	
CAPACITY OF FILLING HOPPER 600 L	
PISTON SIDE	CONCRETE OUTPUT 108 m ³ /h
	CONCRETE PRESSURE 130 BAR
	PUMPING CYCLE 21 per/min

순번	품번	품명	재질	수량	비고
		다와이주식회사 DY corporation			
		품명	DCP38X-5ZR LAY OUT		
		NAME	DCP38X-5ZR LAY OUT		
	중간(M) 치수차	승인	관 계	-	기계명 DCP38X-5ZR
	0.5 - 3 ±0.1	APPR			
	3 - 6 ±0.1	검 도			재 질
	6 - 30 ±0.2	CHEC			MAT
	30 - 120 ±0.3				
	120 - 400 ±0.5	설 계	SCALE	1:50	도 번
	400 - 1000 ±0.8	DESIGN	WEIGHT		DWG.NO
	1000 - 2000 ±1.2				S0165
	2000 - 4000 ±2				