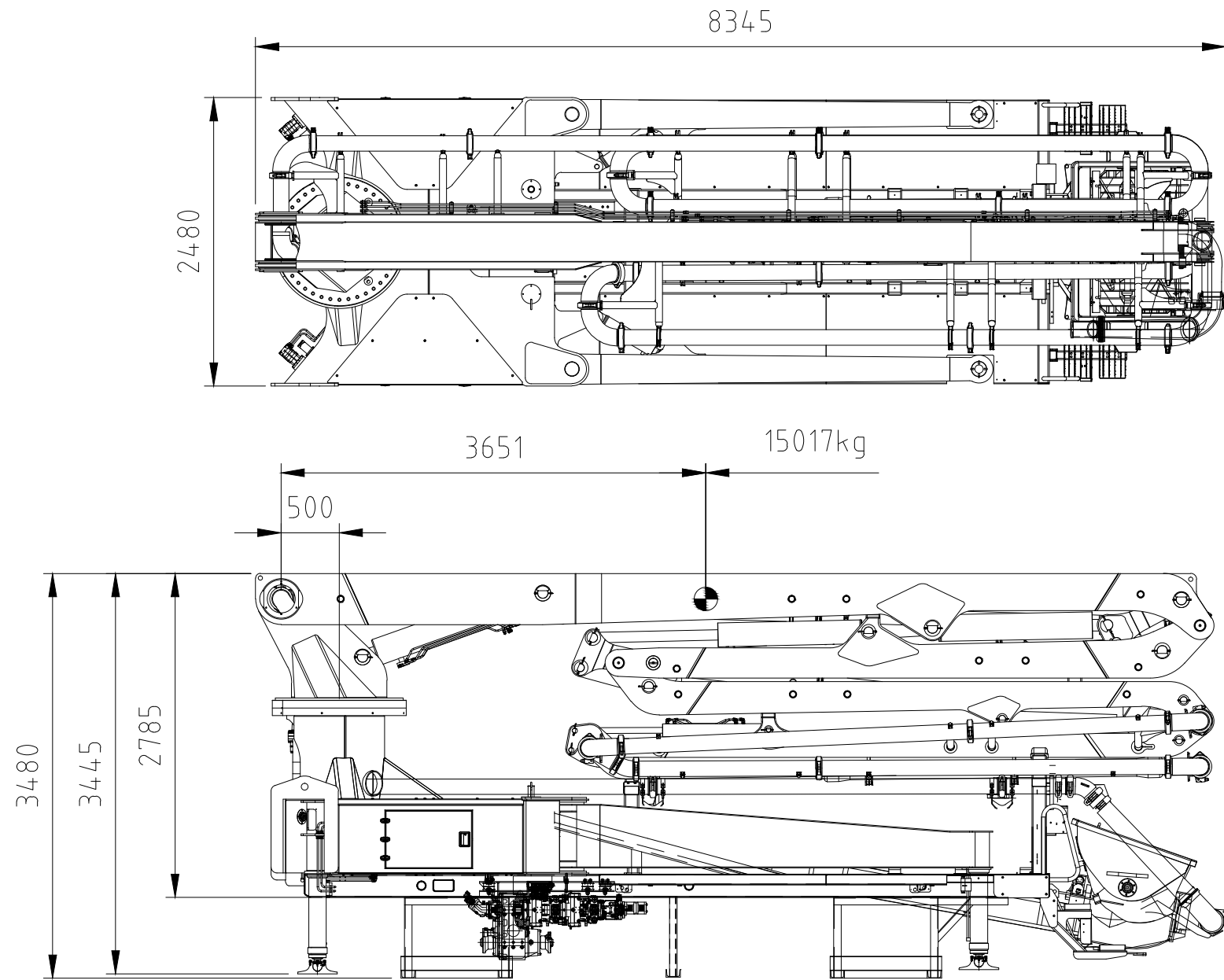


ECN-NO	REV NO	DATE	DESIG	CHEC	APPR



PLACING BOOM		
MODEL	BOOM-33M	
BETON LINE DIAMETER	125 mm	
MAX VERTICLE REACH	32.2 m	
HORIZONTAL REACH	27.9 m	
HYDR' WORKING PRESSURE	350 BAR	
MAX. LENGTH OF END HOSE	3.5 m	
SLEWING RANGE	Continuous Swing	
OUTRIGGERS	TYPE	X-S
	JACK CTL' STROKE LENGTH	720 mm

CONCRETE PUMP SYSTEM		
MODEL	DCP33X-5ZZ	
ROD SIDE	CONCRETE OUTPUT	160 m ³ /h
	CONCRETE PRESSURE	87 bar
	PUMPING CYCLE	31 per/min.
PUMPING CYLINDER DIAMATER x STROKE	230mmx210mm	
CAPACITY OF FILLING HOPPER	600 L	
PISTON SIDE	CONCRETE OUTPUT	108 m ³ /h
	CONCRETE PRESSURE	130 BAR
	PUMPING CYCLE	21 per/min

TOTAL WEIGHT : 15,315 kg
With Support Assy

UPPER WEIGHT : 14,715 kg
Without Support Assy

NOTE.
1. 하부 이종관, 붐 경량화 이종관 적용

순번	품번	품명	재질	수량	비고
			품명	DCP33X-5ZZ LAY OUT	
			NAME	DCP33X-5ZZ LAY OUT	
중간(M) 치수차	승인 APPR	관계 도번	-	기계명	DCP33X-5ZZ
0.5 - 3 ±0.1 3 - 6 ±0.1 6 - 30 ±0.2 30 - 120 ±0.3 120 - 400 ±0.5 400 - 1000 ±0.8 1000 - 2000 ±1.2 2000 - 4000 ±2	검도 CHEC	SCALE	1:45	도번	S0155
설계 DESIGN		WEIGHT		DWG.NO	